

SERIES 5 DF/DS/DV ECOLINE.



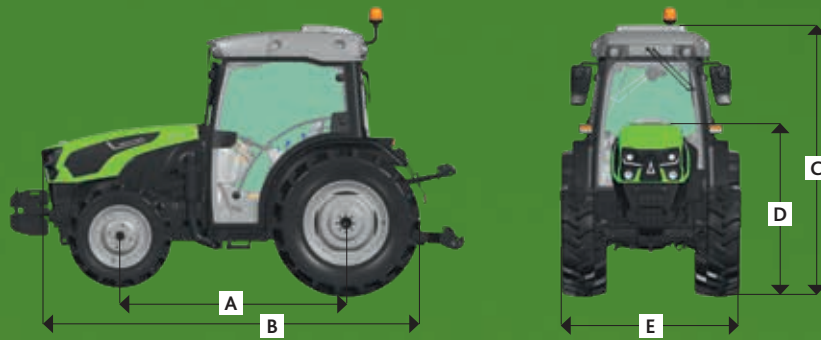
5080 DF/DS/DV Ecoline (Cab - Platform)
STAGE V



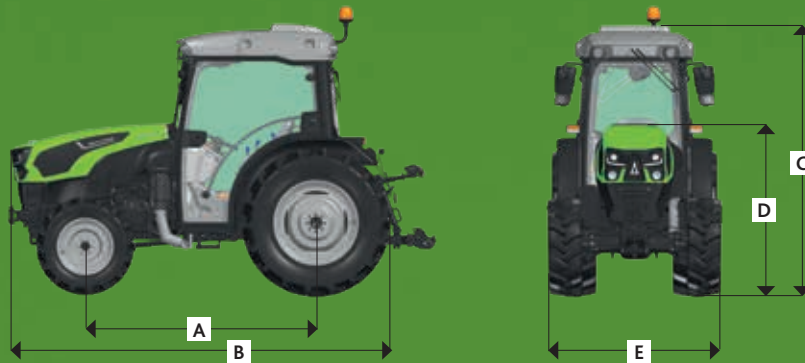
TECHNICAL DATA		5080 DF ECOLINE	
		5080 DS ECOLINE	
		5080 DV ECOLINE	
ENGINE			
Type			FARMotion 35
Emission level			Stage V
Aspiration			Turbo Intercooler
Injection @ pressure	Type		Common Rail@2.000 bar
Cylinder / Displacement	n°/cc		3/2887
Max. power (ECE R120)	kW/hp		55.8/76
Power at rated engine speed (ECE R120)	kW/hp		55.2/75
Max torque @1.500 rpm	Nm		341
Fuel tank capacity (with front lift/PTO)	l		55 (35)
Fuel tanks capacity with additional fuel tank (with front lift/PTO) - 5DF Ecoline	l		95 (75)
Fuel tanks capacity with additional fuel tank (with front lift/PTO) - 5DS/DV Ecoline	l		85 (65)
TRANSMISSION - MECHANICAL SHUTTLE			
Number of speeds - 5 gears transmission			30+15 (with mechanical splitter) or 45+45 (with HML 3-Powershift steps)
Max. speed - 5 gears transmission	km/h		40 ECO*
TRANSMISSION - POWERSHUTTLE			
Number of speeds - 5 gears transmission			30+15 (with mechanical splitter) or 45+45 (with HML 3-Powershift steps)
Max. speed - 5 gears transmission	km/h		40 ECO*
PTO			
PTO speeds			540/540E or 540/540E/1000
Groundspeed PTO			○
Front PTO 1000			○
LIFT			
Mechanical rear lift			●
Electronic rear lift			○
Rear lift capacity - 5 DF Ecoline	Kg		2800
Rear lift capacity - 5 DS/DV Ecoline	Kg		2600
Hydraulic right tie rod and stabilisers			○
Front lift (1500 kg)			○
HYDRAULICS			
Open centre hydraulic system (STD)	l/min		54
Open centre hydraulic system with double pump (OPT)	l/min		64
Rear spool valves (STD)	n°		3
Flow regulator			●
Rear free return			●
Mid-mounted hydraulic ways - duplicated from rear (OPT)	n° of ways		2/4
Mid-mounted free return			○
BRAKES			
4 wheel braking			●
Hydraulic trailer brake			○
FRONT AXLE			
Electrohydraulic engagement for 4WD and Diff.Lock			●
Auto 4WD			○
Independent steering pump			●
INDEPENDENT FRONT SUSPENDED AXLE (OPT)			
Adaptive-Damping, Active Self-Levelling functions			●
Anti-Dive, Anti-Roll functions			●
Differential Traction Control (DTC)			●
CAB			
4-post cab			●
Driver seat with pneumatic suspension			●
Air conditioning			○
4x Halogen working lights			○
Adjustable steering column			○
PLATFORM (5DF Ecoline)			
2-post foldable ROPS			○
Driver seat with mechanical suspension			●

● = standard ○ = option -- = not available

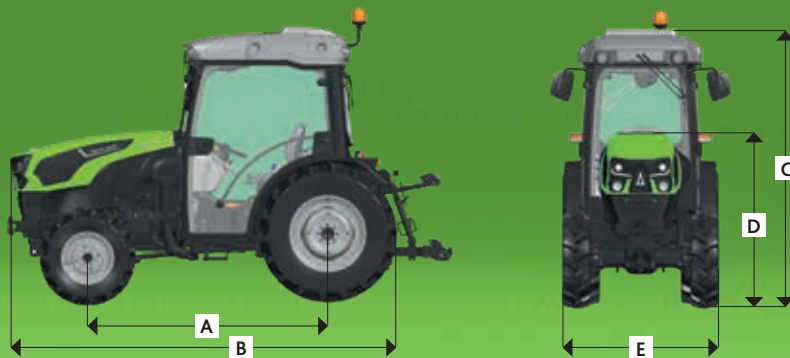
* According to rear tyres size. ECO only for 5DF Ecoline and 5DS Ecoline



TECHNICAL DATA		5080 DF ECOLINE	
DIMENSIONS			
With front tyre	Size	300/70 R20	
With rear tyre	Size	420/70 R28	
Wheelbase (A)	mm	2011	
Max. length (B)	mm	3680	
Total height - CAB (C)	mm	2396	
Height at bonnet (D)	mm	1453	
Width (E)	mm	1624	
Weight - platform	Kg	2730	
Weight - CAB	Kg	2995	
Total admissible load	Kg	5000	



TECHNICAL DATA		5080 DS ECOLINE	
DIMENSIONS			
With front tyre	Size	280/70 R18	
With rear tyre	Size	380/70 R28	
Wheelbase (A)	mm	2050	
Max. length (B)	mm	3695	
Total height - CAB (C)	mm	2371	
Height at bonnet (D)	mm	1503	
Width (E)	mm	1380	
Weight - CAB	Kg	2850	
Total admissible load	Kg	4600	



TECHNICAL DATA		5080 DV ECOLINE	
DIMENSIONS			
With front tyre	Size	180/95 R16	
With rear tyre	Size	280/85 R24	
Wheelbase (A)	mm	2050	
Max. length (B)	mm	3695	
Total height - CAB (C)	mm	2271	
Height at bonnet (D)	mm	1483	
Width (E)	mm	1166	
Weight - CAB	Kg	2830	
Total admissible load	Kg	4600	

Highlights

The 5 DF/DS/DV Ecoline range is designed to ensure high efficiency and low costs of ownership. The wide selection of options, makes this tractor customisable according to the needs of each single vine-grower and fruit-grower. This series is available with a choice of widths from 1.16 to 1.65 m, in cab or platform version and with a simple mechanical transmission or with the most complete HML gearbox with 45+45 speeds. The shortest wheelbase in the market completes the work, providing the maximum levels of agility and manoeuvrability.

FARMOTION 35 ENGINE.

The new 3 cylinder FARMotion 35 engine has been developed specifically for agricultural applications. The compact exhaust after-treatment system – in this power rating – uses only EGR, DOC and DPF technologies which do not require periodic maintenance and the refill of additional fluids (AdBlue). This, combined with the extended oil service interval and the high fuel efficiency due to high-pressure Common Rail, makes the 5 DF/DS/DV extremely easy and cost efficient to maintain.

TRANSMISSION.

There's a choice of different shuttle variants, letting customers opt for either a conventional mechanical reverse shuttle or a hydraulic reverse shuttle. In any case, the 5-gears transmission can be configured with a mechanical splitter (providing a total number of speeds of 30+15) or with 3-Powershift steps, resulting in 45 speeds available both in forward and reverse direction.

AXLES.

As an alternative to the conventional swing front axle, the 5 DF/DS/DV Ecoline tractors are also available with a front axle with independent articulated quadrilateral suspension and active damping control, which optimises comfort, safety and pulling capacity. True 4-wheel braking, with brakes on all four wheels, is standard, while the Auto 4WD function is available as an option to make headland turns quicker and less tiring. Overall widths range from 1.45 m to 1.65 m for 5 DF Ecoline, 1.26 to 1.47 m for 5 DS Ecoline, 1.16 to 1.31 for 5 DV Ecoline.

DRIVING POSITION.


The cab equipping 5 DF/DS/DV Ecoline tractors offers outstanding levels visibility in each direction, thanks to the 4-post structure. High levels of comfort are ensured by the air conditioning and the driver seat with pneumatic suspension, while a practical smartphone holder with 2-USB plugs makes the daily work easier. The widest version – the 5DF Ecoline – is even available with an open platform with a 2-post foldable ROPS.

HYDRAULICS.

3 distributors with flow regulator and a free return coupler are available as standard at the rear of the tractor, while up to 4 duplicated hydraulic mid-mounted couplers with an additional mid mounted free return are available as an option. All the hydraulic couplers are fed by either a 54 l/min pump or a dual pump system capable of delivering up to 64 l/min of oil. Irrespective of the pump capacity, the hydraulic steering system is fed by a secondary system completely independent of the main hydraulic system which feeds the distributors and lift.



To discover more please contact your dealer or visit deutz-fahr.com.

DEUTZ-FAHR is a brand of  SDF

