

SERIES 5 DF.



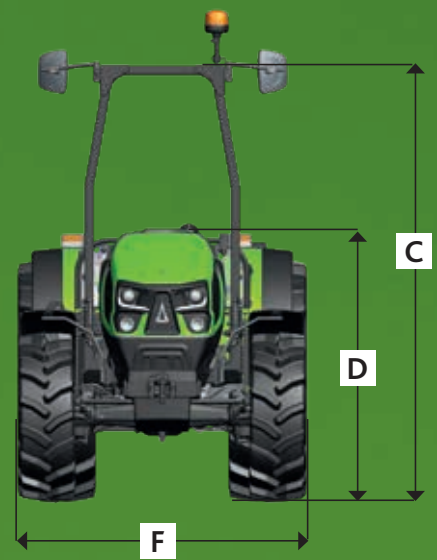
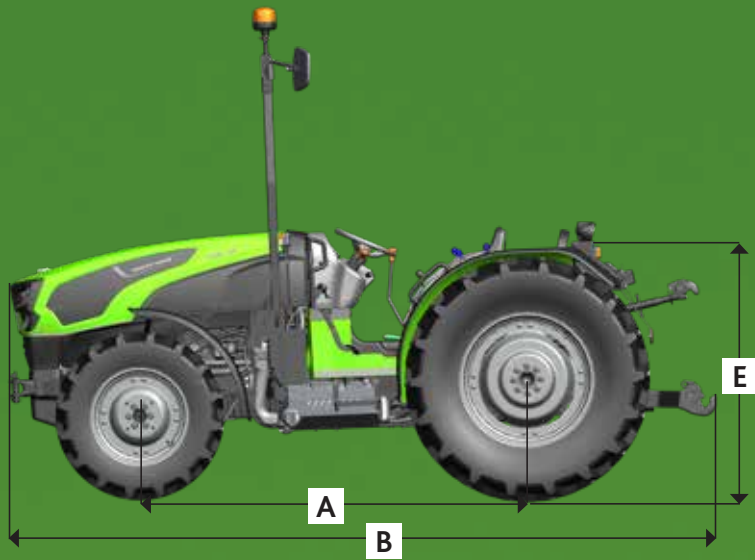
5095 DF – 5105 DF – 5115 DF
Platform
STAGE V



TECHNICAL DATA		SERIES 5 DF PLATFORM		
		5095 DF	5105 DF	5115 DF
ENGINE				
Type		FARMotion 45		
Emission level		Stage V		
Aspiration		Turbo Intercooler		
Injection @ pressure	Type	Common Rail@2.000 bar		
Cylinder / Displacement	n°/cc	4/3849		
Max. power (ECE R120)	kW/hp	70/95	78/106	85/116
Power at rated engine speed (ECE R120)	kW/hp	66.4/90	74/101	80.6/110
Max torque @1.400 rpm	Nm	389	433	472
Fuel tank capacity	l	82		
AdBlue tank capacity	l	13		
TRANSMISSION - MECHANICAL SHUTTLE				
Number of speeds - 4 gears transmission		12+12 or 24+12 (with mechanical splitter)		
Max. speed - 4 gears transmission	km/h	40		
Number of speeds - 5 gears transmission		15+15 or 30+15 (with mechanical splitter) or 30+30 (with HI-LO 2-Powershift steps)		
Max. speed - 5 gears transmission	km/h	40 ECO*		
PTO				
PTO speeds		540/540E or 540/540E/1000		
Groundspeed PTO		○		
Front PTO and front lift prearrangement		○		
LIFT				
Mechanical rear lift		●		
Rear lift capacity (STD/OPT)	kg	3130/3940		
Front lift and front PTO prearrangement		○		
HYDRAULICS				
Open centre hydraulic system (STD/OPT)	l/min	48/56		
Open centre hydraulic system with double pump (OPT)	l/min	68		
Rear spool valves (STD/OPT)	n°	2/3		
Flow regulator		○		
Rear free return		●		
BRAKES				
4 wheel braking		●		
Hydraulic trailer brake		○		
FRONT AXLE				
Electrohydraulic engagement for 4WD and Diff.Lock		●		
Independent steering pump		●		
Front axle with wet disc brakes		●		
DRIVING POSITION				
Welded platform with tunnel		●		
2-post foldable safety frame		○		
Suspended on Hydro silent-block		●		
Driver seat with mechanical suspension		○		
Height adjustment of steering column		○		
Smartphone holder with 2 USB chargers		○		

● = standard ○ = option – = not available

* According to rear tyres size



TECHNICAL DATA		SERIES 5 DF PLATFORM		
		5095 DF	5105 DF	5115 DF
DIMENSIONS				
With front tyre	Size	240/70 R16	240/70 R16	240/70 R16
With rear tyre	Size	380/70 R20	380/70 R20	380/70 R20
Wheelbase (A)	mm	2174	2174	2174
Max. length (B)	mm	3955	3955	3955
Total height - ROPS (C)	mm	2355	2355	2355
Height at bonnet (D)	mm	1351	1351	1351
Height at mudguards (E)	mm	1180	1180	1180
Width (F)	mm	1540	1540	1540
Weight	kg	2650	2650	2650
Total admissible load	kg	5000	5000	5000

Highlights

The 5 DF platform range includes three 4-cylinder models from 95 to 116 Hp. The driving position has been completely re-designed in order to increase the operator comfort: these models feature ergonomic controls and two platform heights, all suspended on Hydro Silent-Block suspension. A broad selection of options – including a wide choice of tyre combinations – are available in order to configure the tractor according to the various needs of professional fruit and wine growers. In the lowest configuration, 5 DF platform tractors have a mudguard height of just 1,18 m in order to perfectly fit in citrus fruit orchards or table grapes rows.

FARMOTION 45 ENGINES.

The new 4 cylinder FARMotion 45 engines have been developed specifically for agricultural applications. With a sloped and tapered bonnet design these tractors offer an extraordinary visibility. With even more fuel-efficiency than ever, and with 600 hours service intervals, these high performance units deliver power outputs up to 116 Hp. While the FARMotion 45 boasts the largest displacement in this class, the intelligent design and layout of these engines allow for tractors with extremely compact exterior dimensions.

TRANSMISSION.

The wide choice of transmission solutions offered lets each customer tailor their tractor exactly to their needs, with configurations based on 4 or 5-gears layouts. The simpler configuration features 4-gears and 3-ranges, resulting in a total number of speeds of 12+12. This configuration can be enriched with a mechanical splitter which doubles the forwards speeds. The same layouts are available also with 5-gear transmission, providing 15+15 or 30+15 speeds. In addition, a Hi-Lo transmission – with 2-Powershift steps – is even available, providing a maximum speed of 40 km/h at economy engine speed and a minimum speed of just 187 m/h.

AXLES.

5 DF platform models feature a front axle which allow as standard and high steering angle in order to increase the maneuverability of the tractor. True four-wheel braking is a base feature, providing high level of safety in any working conditions. 100% differential lock, as well as 4 wheel drive are simply engaged by pressing a button. The enhanced steering system, with two steering rams, offers a more precise steering - improving the driving behaviour, especially when driving at high-speeds on the road.

DRIVING POSITION.


The welded platform of the 5 DF tractors is available in two sizes, with two mudguard heights, according to the dimension of the tyres. In any case, platform is always suspended on the exclusive Hydro Silent-Blocks, that dramatically reduce the transmission of vibration from the powertrain to the driver body, resulting in high levels of comfort and safety. All the controls are grouped following the well-known colour coding logic and are ergonomically laid out in the front and lateral consoles.

HYDRAULICS.

Up to 3 distributors and a free return coupler are available at the rear of the tractor. Flow regulator is available as option, and it can be located directly on the distributors or close to the driver seat. All the hydraulic spool valves are fed by either a 48 or 56 l/min pump or a dual pump system capable of delivering up to 68 l/min of oil. Irrespective of the pump capacity variant, the hydraulic steering system is fed by a secondary system completely independent of the main hydraulic system feeding the distributors and lift. Rear lift has a mechanical control and – when completed with assistor rams – has an impressive capacity of 3940 kg.



To discover more please contact your dealer or visit deutz-fahr.com.

DEUTZ-FAHR is a brand of  SDF

